

## Optical Rotary Joint

### Features

Small volume  
Insertion loss  
Bear power high

### Application

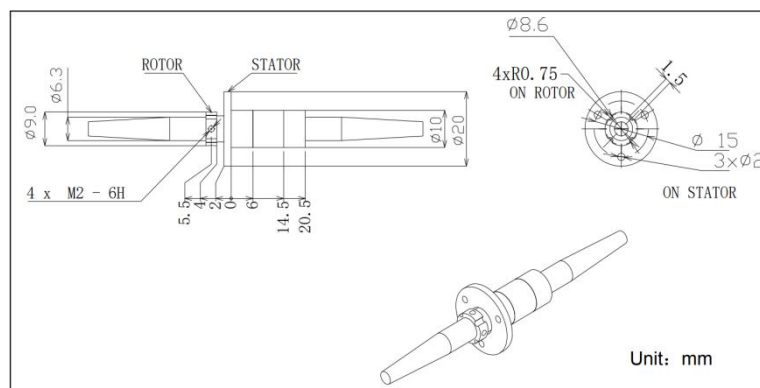
Radar system  
Laser medicine  
Video surveillance system

### Specifications

Parameter	Unit	Value
Operating wavelength	nm	1550+/-30
Maximum insertion loss	dB	1.2
Insertion loss flatness( dB)	dB	+/-0.5
Optical reflection loss	dB	50
Power(CW)	mW	500
Break-out torque	Nm	≤0.01
Operating rate	rpm	2000
Expected life	r	200 million
Level of protection	-	IP54
Fiber type	-	Corning-SMF-28(R)-Ultra
Operating temperature	°C	-20 ~ +60
Storage temperature	°C	-50 ~ +85

When using the Connector, the processing power is only 1W, the Insertion loss is 0.3dB higher, the return loss is 5dB lower, and the extinction ratio is 2dB lower. The Connector key is aligned with the slow axis.

### Package dimensions



### Ordering information

FORJ-①①①①-②-③-④-⑤

①①①①: Wavelength  
1550=1550nm  
SSSS=Specify

②: Port type  
1=1\*2  
2=2\*2

③: Pigtail type  
1=250um bare fiber  
2=900um loose tube  
S=Specify

④: Length  
H=0.5m  
1= 1.0m  
S=Specify

⑤: Connector  
0=None  
1=FC/UPC  
2=FC/APC  
S=Specify